



光伏+储能 工程项目

Solar & Ess Projects



无锡申特能源科技有限公司
SENTE ENERGY CO., LTD

网址 / Web: www.sentenergy.com.cn

电话 / Tel: +86-510-8359 2969

邮箱 / Email: sales@sentaenergy.com

地址 / Add: RM.501,Bld.1,No.33 Zhihui Road,Huishan District,Wuxi,Jiangsu,China

江苏省无锡市惠山区智慧路33号华清创意园1栋501室, 214174



无锡申特能源科技有限公司
SENTE ENERGY CO., LTD





公司简介 Company Profile

无锡申特能源科技有限公司，是一家集新能源项目开发、投资、设计、总承包、智能运维于一体的综合性工程管理公司。致力于为新能源、电力工程提供专业、高效的解决方案和一站式服务。

申特立足于光伏领域，以“光伏、储能项目设计、光伏电站投资、EPC总承包、项目运维管理”为核心，为客户提供完善的光伏系统解决方案。

管理团队管理严谨、技术人员专业，实施经验丰富。拥有电力行业乙级设计资质，安全生产许可，建筑业企业资质，承装（修、试）电力设施四级等多项资质。以无锡总部为依托，为国内外项目提供专业服务。

SENTE ENERGY CO., LTD

Wuxi Sente Energy Technology Co., Ltd. is a comprehensive engineering management company, integrating project development, investment, design, general contracting and intelligent operation and maintenance in new energy industry . We are committed to providing professional and effective solutions and All-in -one services for new energy and power engineering projects.

Based on the photovoltaic industry, Sente focuses on "solar PV, energy storage project design, solar PV power station investment, EPC general contracting, project operation and maintenance management" as major business, to provide customers with optimized solar and ess system solutions.

With rigorous management system, professional technical team, Sente has gained rich implementation experience. Sente possesses ample qualifications, including B class design qualification in power industry, safety production license, construction qualification, level 4 qualification in installation (repair, test) of power facilities. Radiating from headquarter in Wuxi, we provide professional services for both domestic and foreign projects.

企业资质

Enterprise Qualification

三桥设计有限公司无锡新能源分公司 SENQO DESIGN CO., LTD

主要负责：项目设计、可研方案、现场勘测、设计出图、申报流程等

Main Service: Feasibility study scheme, site survey, design drawing, application process, etc

陕西嘉太恒业建工集团有限公司 JATA CONSTRUCTION CO., LTD

主要负责：EPC工程管理、实施

Main Service: EPC project management and implementation



工程设计资质证书
A254004401



工程设计资质证书
A254004401



安全生产许可证
(2021)015434



建筑业企业资质证书
D361489958



承装(修、试)电力设施许可证
3-1-02039-2021

业务介绍

BUSINESS INTRODUCTION



01 项目勘察设计与技术咨询 Project survey design and technical consulting

新能源领域相关的分布式光伏、储能、绿色建筑、BIPV、光伏支架、充电装置、相关电力工程等项目

Distributed solar PV, energy storage, green building, BIPV, solar PV bracket, charging device, related power engineering and other projects related to the field of new energy

02 项目开发、建设、运维 Project development, construction and maintenance

包括项目的需求规划、分析、建设等全生命周期。以及后期的运维等一站式服务

It includes the whole life cycle of project demand planning, analysis and construction. As well as later operation and maintenance and other one-stop services

03 工程总承包及全方位项目管理 EPC and comprehensive project management

整个项目从设计、采购、建设、售后全过程的服务。同时注重项目各阶段的管理

The whole project from the design, procurement, construction, after-sales service. At the same time pay attention to the management of each stage of the project



Solar PV Projects
光伏项目



Energy Storage System
储能项目



Operation & Maintenance
电站运维



Green Building Projects
绿建项目

BUSINESS INTRODUCTION

业务介绍



Solar PV Projects

光伏项目

Industrial & Commercial Projects | 工商业分布式

工商分布式光伏系统是大规模利用太阳能的一种重要形式。减少能耗，利用闲置的层顶资源给企业带来巨大的经济效益和环境效益

Industrial and commercial distributed solar PV system is an important form to use solar energy, which could reducing energy consumption and bring huge economic benefits to themselves and environment by using idletop-level resources.

Residential Projects | 户用分布式

户用分布式光伏系统，就地利用所发电能，电量消纳有三种形式：全额上网、全部自用及自发自用余电上网。

Home distributed solar PV system, use the power generated by itself 。 There are three forms of power consumption: on grid,off grid and hybrid.

Off-grid System Projects | 离网发电系统

离网系统不与电网联通，能直接自供电的系统。广泛应用于偏僻山区、无电区、海岛、通讯基站和路灯等应用场所。

The off-grid system is not connected to the grid and can directly supply power by itself. Widely used in remote mountainous areas, areas without electricity, islands, communication base stations and street lights and other applications.

New Special Projects | 新特奇趣

运用“光伏+储能”模式，在城市商业区、综合体、居民区等，依托光伏发电和充电基础设施等，可实现多元融合的奇趣光伏使用场景。

Using the "PV + energy storage" mode, in urban business districts, complexes, residential areas, etc., relying on photovoltaic power generation and charging infrastructure, you can achieve a diversified integration of interesting solar PV use scenarios.

BUSINESS INTRODUCTION

业务介绍



Energy Storage System

储能项目

Industrial & Commercial ESS Projects | 工商业储能项目

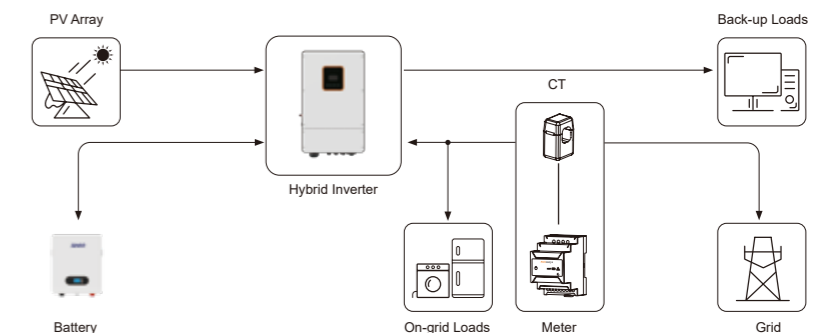
集装箱式储能系统可以应对大型工商业，离岛发电及对于后备电源及削峰填谷的节能需求，将相关设备有机集成，箱内拥有独立的自动控制和安全保障系统；现场部署时，适应性强，建设周期短，同时方便运输和维护。

The container energy storage system can meet the needs of large-scale industry and commerce, power generation on outlying islands and energy saving for backup power supply and peak shaving and valley filling. It integrates related equipment organically, and has an independent automatic control and safety guarantee system in the box; it has strong adaptability when deployed on site. , the construction period is short, and it is convenient for transportation and maintenance.

Residential ESS Projects | 户用储能

全屋智能用电，优化家庭用电结构。由光伏设备和储能设备组成。能够存储多余的发电量，提高自发自用比例。

Smart electricity consumption throughout the house, optimizing the structure of household electricity consumption. Composed of photovoltaic equipment and energy storage equipment, it can store excess power generation and increase the proportion of self-generation and self-use.



BUSINESS INTRODUCTION

业务介绍



Green Building Projects

绿建项目

Container House | 集装箱快拼房

集装箱房是一种新型的建筑体系，集装箱快拼房可以多次利用，具有拆装方便、性能优越、稳定牢固、运输便捷、防震性好、性价比高、安全性高等特点。

The container house is a new type of building system. The container house can be used multiple times. It has the characteristics of convenient disassembly and assembly, superior performance, stability and firmness, convenient transportation, good shock resistance, high cost performance, and high safety.

Living Shelter | 居住舱

由一个或者多个集装箱所组成，屋顶安装有太阳能光伏板，通过光伏+储能模式有效节约能源。以住宅为构思，将能源技术落实在居家生活。

Consisting of one or more containers, solar photovoltaic panels are installed on the roof to effectively save energy through the photovoltaic + energy storage mode. With the concept of housing, energy technology is implemented in home life.

Building Integrated PV | BIPV

光伏建筑一体化（BIPV）常见的如光电瓦屋顶、光电幕墙和光电采光顶等。光伏方阵与建筑的结合是一种常用的形式，特别是与建筑屋面的结合。

Building integrated photovoltaics (BIPV) are common such as photovoltaic tile roofs, photovoltaic curtain walls and photovoltaic lighting roofs. The combination of photovoltaic arrays and buildings is a commonly used form, especially the combination with building roofs.



BUSINESS INTRODUCTION

业务介绍



Operation & Maintenance

电站运维

无锡申特能源科技有限公司致力于提供光伏电站智能运维等运营服务，解决设计缺陷、设备质量缺陷、施工不规范等问题。保障整个电站光伏发电系统的安全、稳定、高效运行。

其中北京中电博顺智能设备技术有限公司与我司合作，实施推进光伏电站运维业务。

Wuxi Sente Energy Technology Co., Ltd. is committed to providing operational services such as intelligent operation and maintenance of photovoltaic power plants, and solving problems such as design defects, equipment quality defects, and irregular construction. Guarantee the safe, stable and efficient operation of the photovoltaic power generation system of the entire power station.

Among them, Boson Robotics Ltd. cooperates with our company to implement and promote the operation and maintenance of photovoltaic power plants.

合作模式 / Cooperation mode



模式一：业主自投模式，项目由业主方自筹资金建设，申特配套做EPC。

Mode 1: Owner-invested mode, the project is built by the owner's own funds, and Sente supports the EPC;



模式二：合同能源管理，业主出租屋顶，由申特或第三方投资建设，实施合同能源管理EMC。

Mode 2: Contract energy management, the owner rents the roof, the construction is invested by Sente or a third party, and the implementation of contract energy management EMC.



模式三：联合投资模式，业主与第三方按一定比例合伙项目公司，共同投建电站。

Mode 3: Joint investment mode, the owner and the third party according to a certain proportion of partnership project company, jointly invest in the construction of power station.

项目案例 PROJECT CASE



Commercial Projects 工商业分布式



无锡玉祁 祁达纺织4.4MW彩钢瓦顶

WUXI-4.4MW



无锡锡山 宝尔森444kW混合屋顶

WUXI-444kW



无锡锡山 嘉润200kW工业厂房

WUXI-200kW



苏州吴中 新泽310kW工业厂房

SUZHOU-310kW



苏州吴中 创轩240kW水泥屋顶

SUZHOU-240kW



无锡锡山 山形印刷324kW工业厂房

WUXI-324kW



无锡新吴 保瑞特850kW工业厂房

WUXI-850kW

Commercial Projects 工商业分布式



无锡锡山 安普瑞斯 2MW水泥屋顶+车棚 (美企)



WUXI-2MW



苏州吴中 赛腾1MW水泥屋顶



SUZHOU-1MW



常州武进 圣贤锻造1.6MW彩钢+瓦面屋顶



CHANGZHOU-1.6MW



常州新北 蒂业技凯1.4MW彩钢屋顶 (日企)



CHANGZHOU-1.4MW



无锡梁溪 无锡俱崇安家居创意园220kW 水泥屋面



WUXI-220kW



无锡锡山 积水塑料850kW彩钢屋顶 (柔性组件项目) (日企)



WUXI-850kW

Commercial Projects 工商业分布式



无锡惠山 东阳铸造80kW BIPV屋顶 WUXI-80kW



苏州常熟 镇政府大楼200kW商业屋顶 SUZHOU-200kW



无锡滨湖 源清动力(一期和二期)366kW+682kW水泥屋顶



WUXI-366kW+682kW



无锡梁溪 人民法院30kW商业屋顶 WUXI-30kW



无锡滨湖 地铁4号线综合楼85kW钢构屋顶 WUXI-85kW



无锡锡山 无锡宜家荟聚532.95kW



WUXI-532.95kW



无锡惠山 万丰保护膜400kW瓦面屋顶 WUXI-400kW



无锡惠山 东宇东庵1MW彩钢瓦屋顶 WUXI-1MW



无锡滨湖 捷安轧辊400kW水泥屋顶 WUXI-400kW



扬州高邮 亿丰光电844.23kW YANGZHOU-844.23kW

Residential Projects 户用分布式



南通海安 胡先生8kW别墅分布式

NANTONG-8kW



无锡江阴 李女士9.2kW别墅分布式

WUXI-9.2kW



上海 李先生9.6kW别墅分布式

SHANGHAI-9.6kW



无锡江阴 李先生20kW别墅分布式

WUXI-20kW



浙江湖州 融创二期户用分布式

HUZHOU



无锡江阴 李先生20kW别墅分布式

WUXI-20kW



无锡惠山 李先生5.4kW园区分布式

WUXI-5.4kW



无锡惠山 徐先生15kW别墅阳光房分布式

WUXI-15kW



上海青浦 谢先生8kW别墅分布式

SHANGHAI-8kW



上海青浦 沈先生9.8kW别墅分布式

SHANGHAI-9.8kW

■ Off-grid System 离网储能



中石油贵阳加油站5.4kW离网储能系统



GUIYANG-5.4kW



无锡蓝天热电厂18kW离网储能系统

WUXI-18kW



无锡惠山 5.4kW风光互补储能系统

WUXI-5.4kW



太湖山水城旅游度假区83.6kW



WUXI-83.6kW

■ Watercraft 船舶



日照港达船舶海上养殖平台18kW

RIZHAO-18kW

■ Fuel Station 加油站



常州武进 中石化125kW加油站

CHANGZHOU-125kW

■ Telecom Tower 通信铁塔



无锡惠山 5.76kW通讯铁塔

WUXI-5.76kW



常州新北 中石化110kW加油站分布式

CHANGZHOU-110kW

■ BIPV



无锡惠山 东阳铸造80kW BIPV屋顶



WUXI-80kW

■ Solar Carport 光伏车棚



无锡新区 安普瑞斯 1.2MW水泥屋顶+车棚 (美企)



WUXI-1.2MW



南通海安200-300kW车棚



NANTONG-200-300kW

■ Container House 集装箱房



无锡惠山 7.8kW集装箱光伏储能系统



WUXI-7.8kW

■ Industrial & Commercial ESS 工商业储能



印尼雅加达 90kW/180kWh (锂电)

INDONESIA-90kW/180kWh

■ ESS Container 集装箱储能



Residential ESS 户用储能案例



塞浦路斯 15kW/30kWh (锂电)



越南胡志明 5kW/10kWh光伏储能



09:18 | 2022-08-30
星期二 阴 21°C
南京市·扬子十七村南区

南京 扬子小学5kW/5kWh光伏储能 (锂电池)

NANJING-5kW/5kWh



南京 30kW/57.6kWh (铅酸)

Living Shelter 居住舱



Planting Shelter 种植方舱



无锡 城市农场种植方舱示范基地

WUXI

合作伙伴
Partners



无锡申特能源科技有限公司
SENTE ENERGY CO., LTD